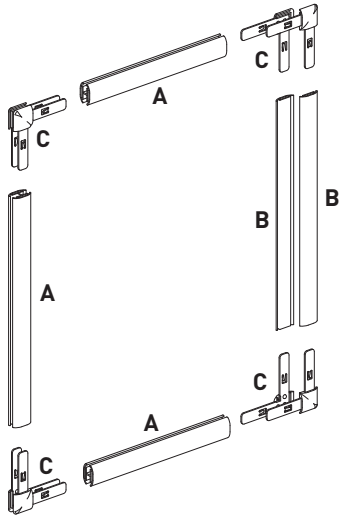
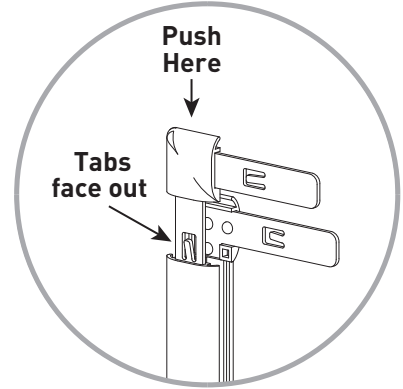
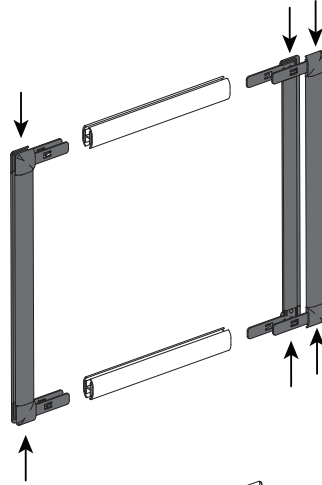


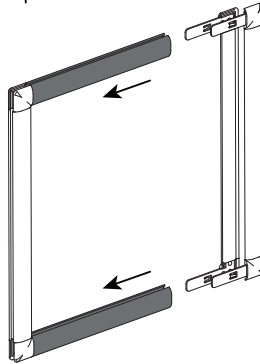
Layout parts before beginning assembly.



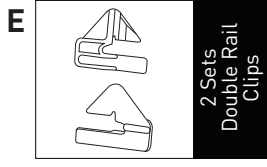
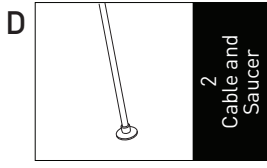
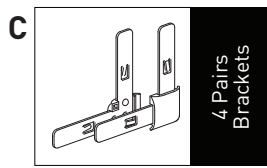
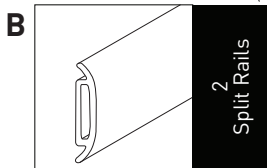
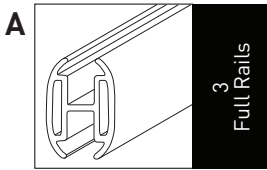
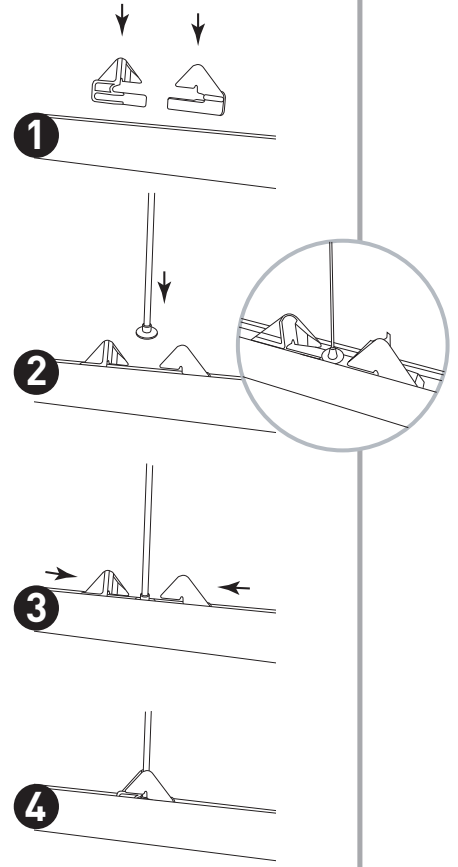
1



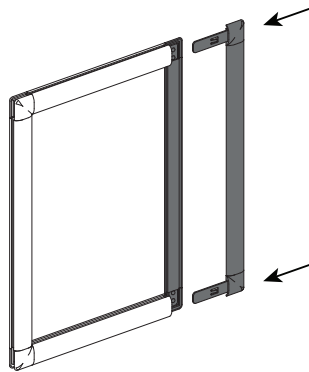
2



Hanging Instructions



3



4

