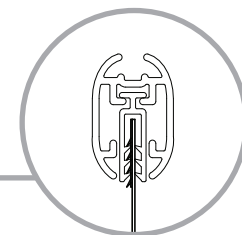
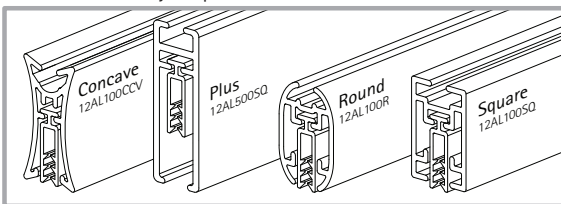


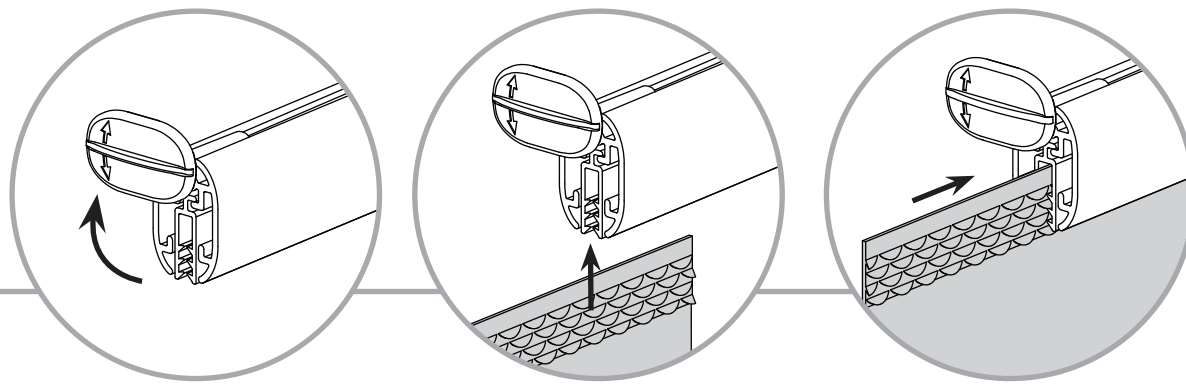
How Graphic Holds



*Same assembly all profiles.



How To Insert Graphic



AnoMate™ is a trademark and Ano® is a registered trademark of Rose Displays, Ltd.
 Neither the manufacturer nor any sales agent may be held liable for injury, loss or damage resulting from the use of these products.
 Part #09INSAnoMate
 Patent #: 7,823,311