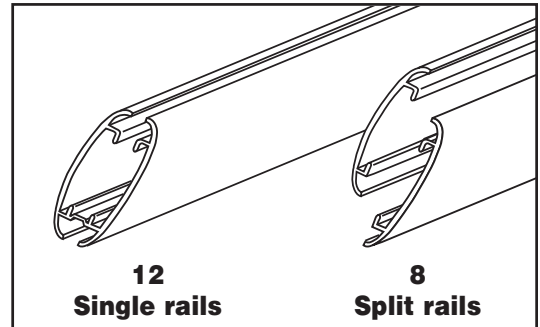
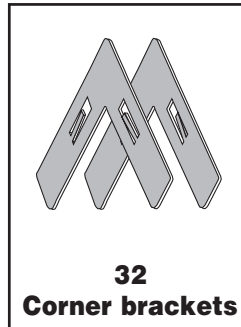
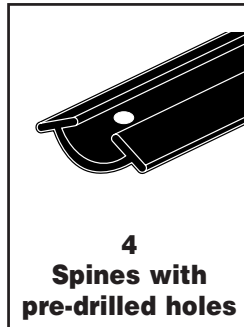


Parts



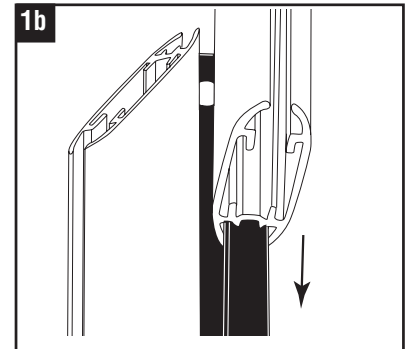
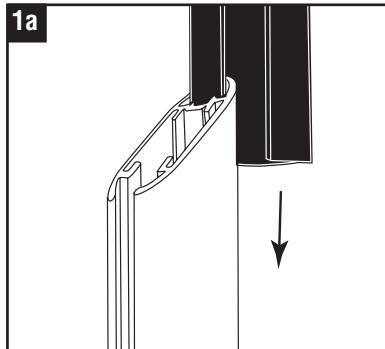
Instructions for Assembly

Note:

We recommend that two people assemble this AnoSkybox.

Step 1a

Slide spine into vertical rail.

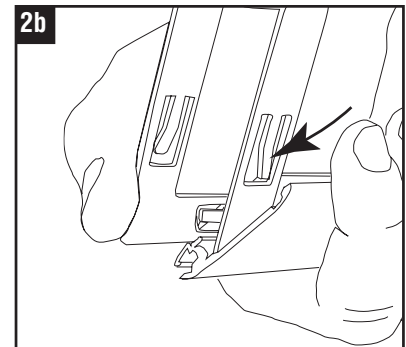
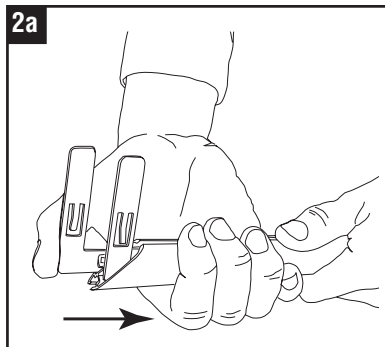


Step 1b

Slide another vertical rail onto the other edge of spine. Repeat for all vertical rails and spines.

Step 2

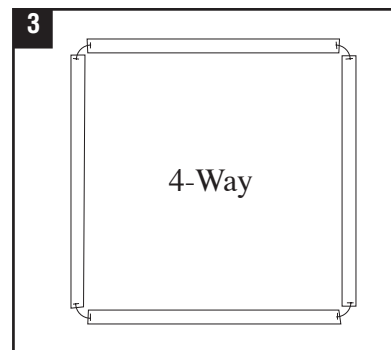
Carefully insert corner brackets into ends of bottom rails, using thumb as shown in illustration. Two brackets per end of each rail. Bracket can bend if forced.



Detail- It is important that the corner bracket tension tab faces toward outside of frame. (2b)

Step 3

Lay out the bottom rails on the floor as they will be configured.



(Continued on other side)

The AnoSkybox™ is a trademark of Rose Displays, Ltd. Neither the manufacturer nor any sales agent may be held liable for injury, loss or damage resulting from the use of these products.
Part #03INAnoSkyboxTopLoad4Way

rose displays

The Signware Specialists

35 Congress Street, Salem, MA 01970

Tel# 1-800-631-9707 Fax# 1-800-560-2890

e-mail: signware@rosedisplays.com

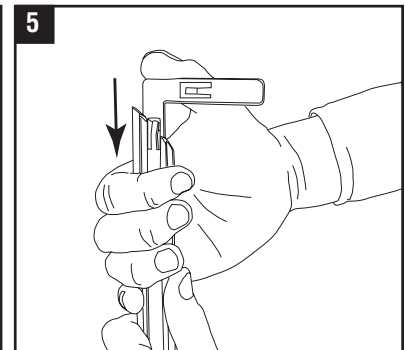
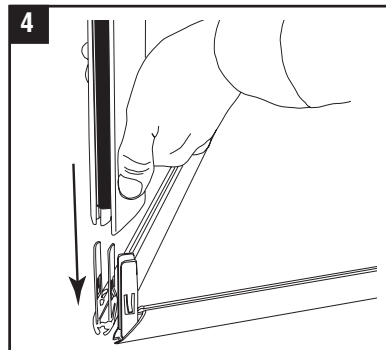
Instructions for Assembly continued

Step 4

Assemble the vertical rail assemblies onto the upward facing corner brackets already inserted into the bottom rails. All four brackets should go into the vertical rails at one time.

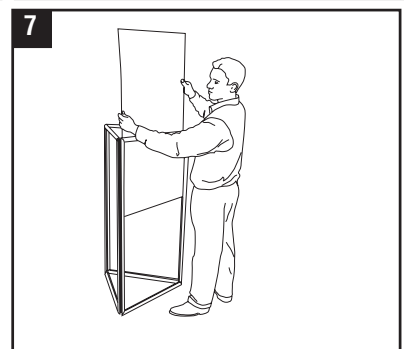
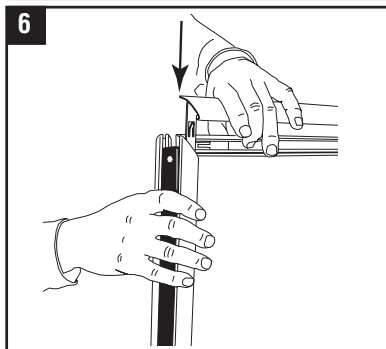
Note: The last vertical rail will be tensioned. This is normal.

Note: Insert end of spine without the predrilled holes. Holes should remain at the top of the AnoSkybox for hanging.



Step 5

Insert corner brackets into ends of split rails, 1 per end. Use thumb as shown in illustration.



Step 6

Assemble split rails onto top ends of vertical rails, one inside and one outside of each side of the AnoSkybox.

Step 7

Insert and change signs through top of each side.

Step 8

Hang the completed assembly.

Note: Steps 7-9 illustrate a 3-Way AnoSkybox. Assembly is the same for a 4-Way