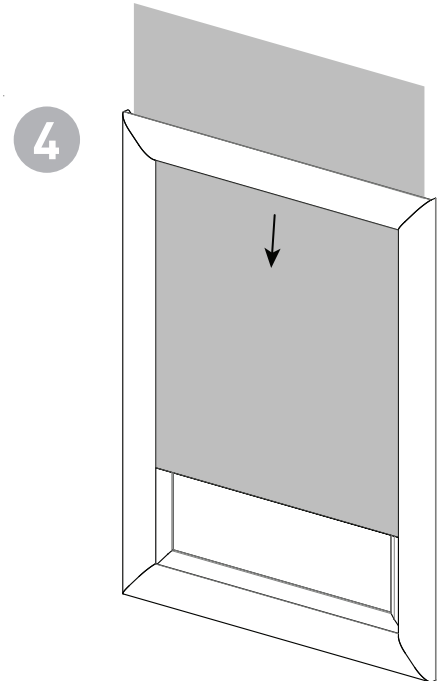
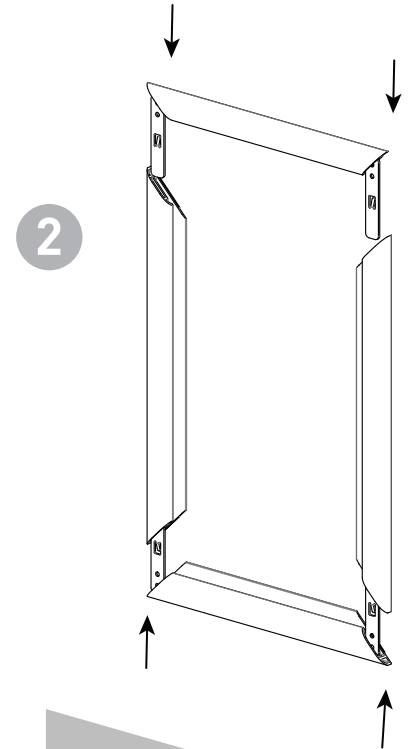
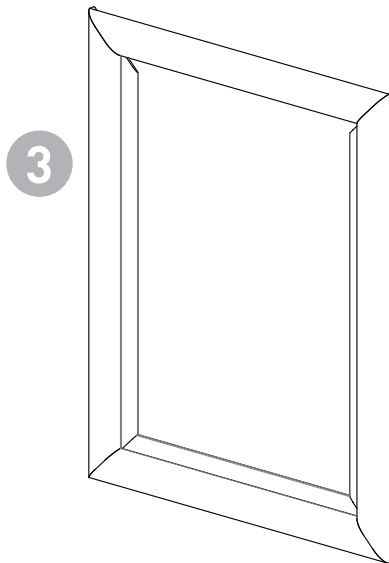
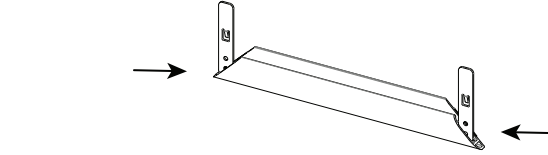
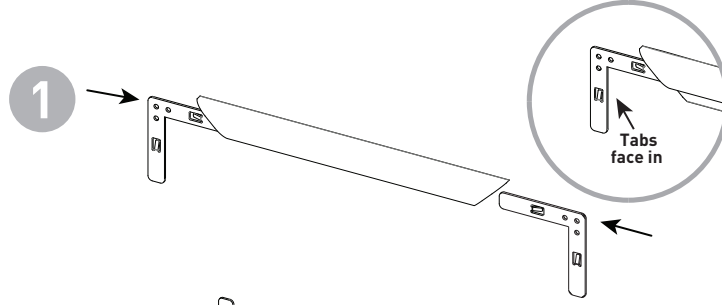
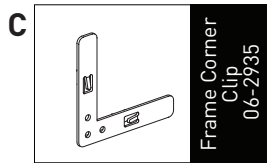
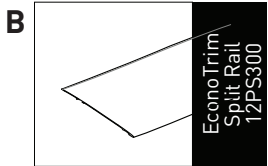
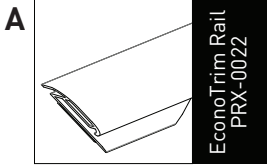


Layout parts before beginning assembly.



Peel Paper off adhesive and stick frame to surface.

Apply pressure to 3 sides with adhesive

Note:

Make sure to keep rails straight when adhering to wall. Use a straight edge or make a line.

1. Mark a line on the wall where you want the edge of the frame. Make sure it is level.
2. Peel the protective backing off of the adhesive.
3. Using the line to guide placement, press the frame firmly onto the wall. Apply pressure over the entire frame.
4. Allow the adhesive to cure for at least 1/2 hour before inserting your graphic.

Allow adhesive to cure for 30 minutes before inserting graphic.