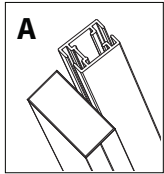


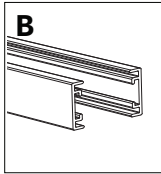
Signware

MultiStand

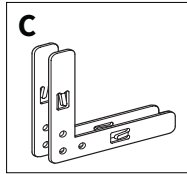
AnoFrame Top Load



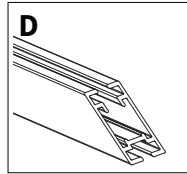
A
2 Full Rails
12AF100RT-B



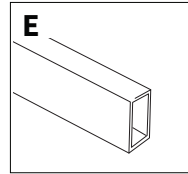
B
2 Split Rails
12-0200-B



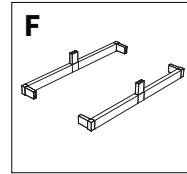
C
4 Pairs Brackets
PN#



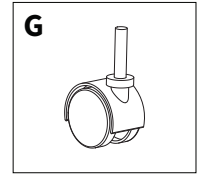
D
1 Short
Rail



E
2 long base connec-
tors



F
2 Base Sides
1 Right PN#
1 Left PN#

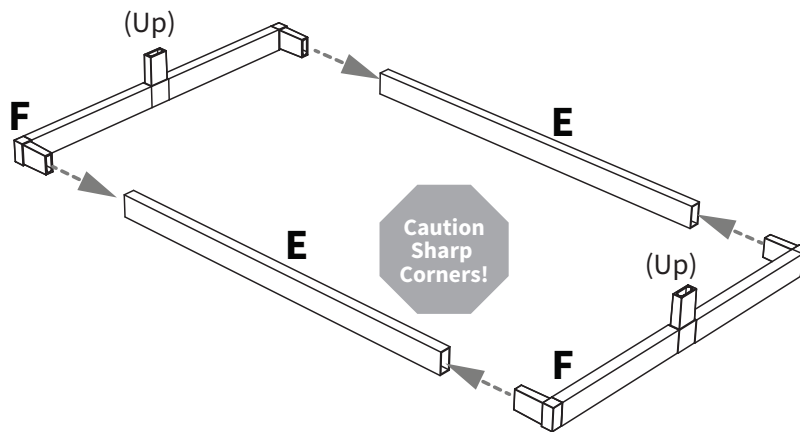


G
4 Casters
PN#

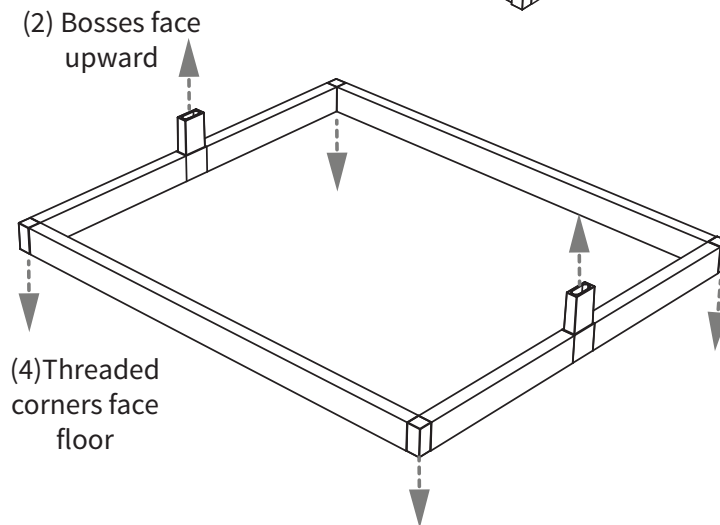
1

Lay out the base components prior to assembling as shown (be sure that the upright assembly bosses are facing upward). Use the two rectangular tubes to connect the base sides. Press joints together firmly to ensure connectors engage the tubing.

Part Layout

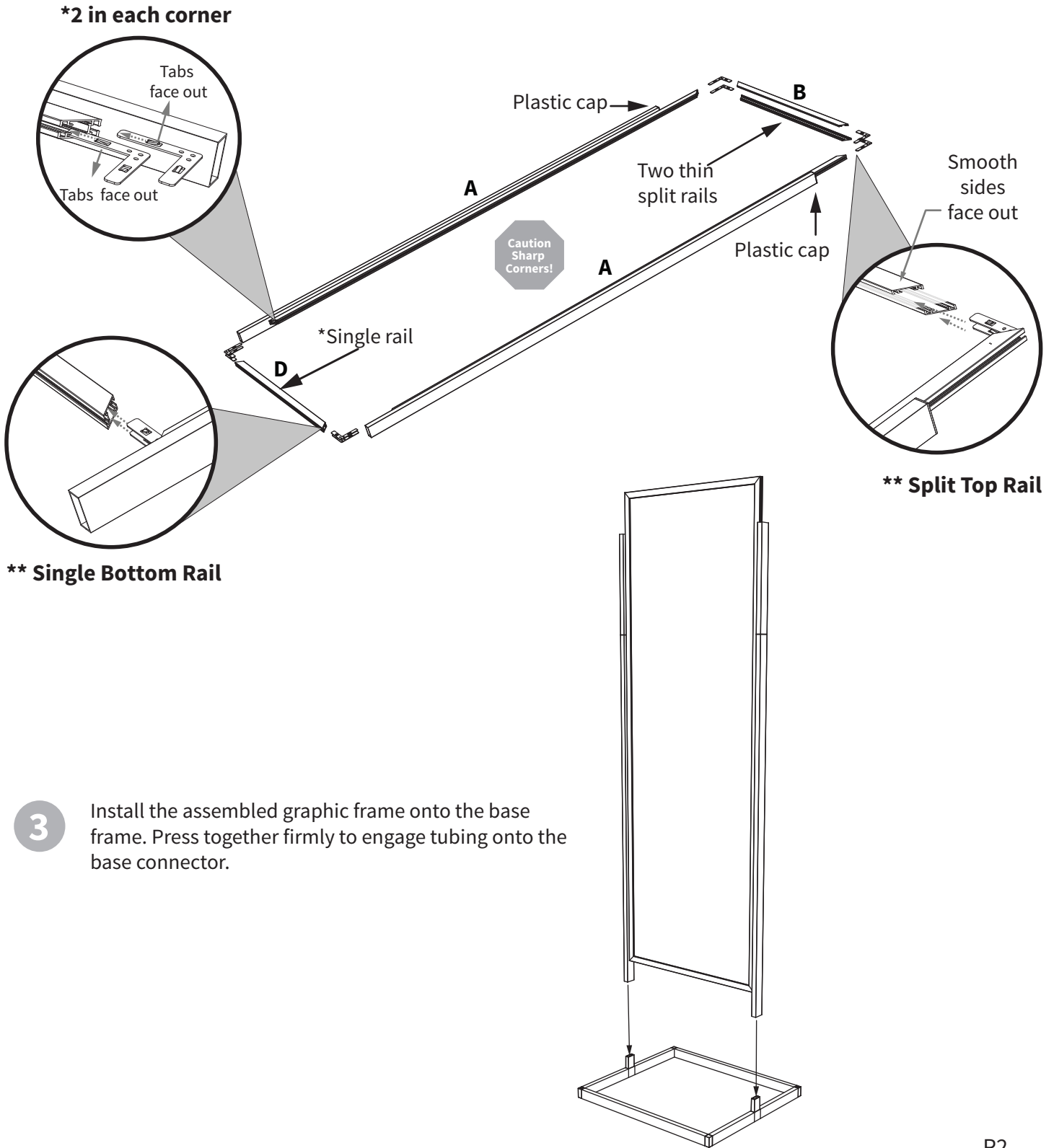


Completed base



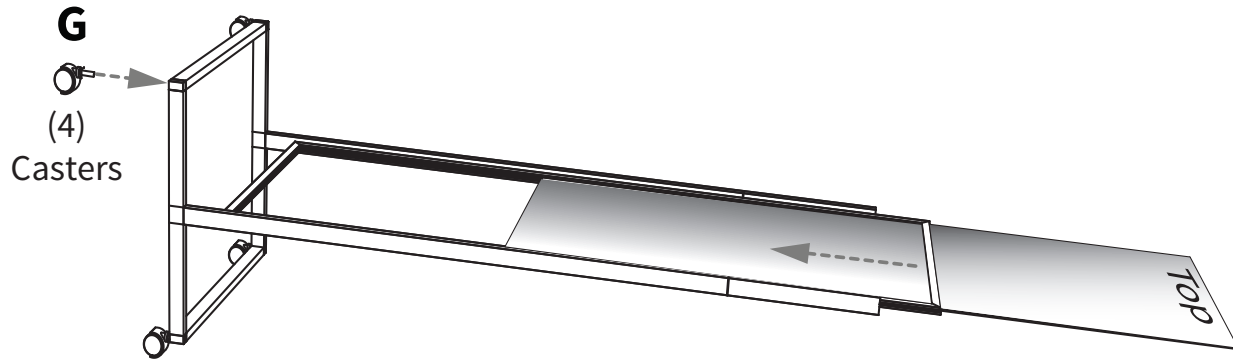
P1

2 Next, lay out the graphic frame components. Insert corner brackets into the tracks in each end of the long side rails **be sure the tabs are facing outward so they bite into the tubing wall*. Use the short bottom rail and 2 split top rails to connect the long rails together. *** The split rails are at the top of the frame, the end with the plastic caps*. Carefully press all corners together firmly to close all gaps in the corners.



4

Tilt the assembled frame onto its side. Thread the 4 casters into the inserts in the bottom corners of the base frame. Insert the bottom edge of the graphic between the split top rails to install.

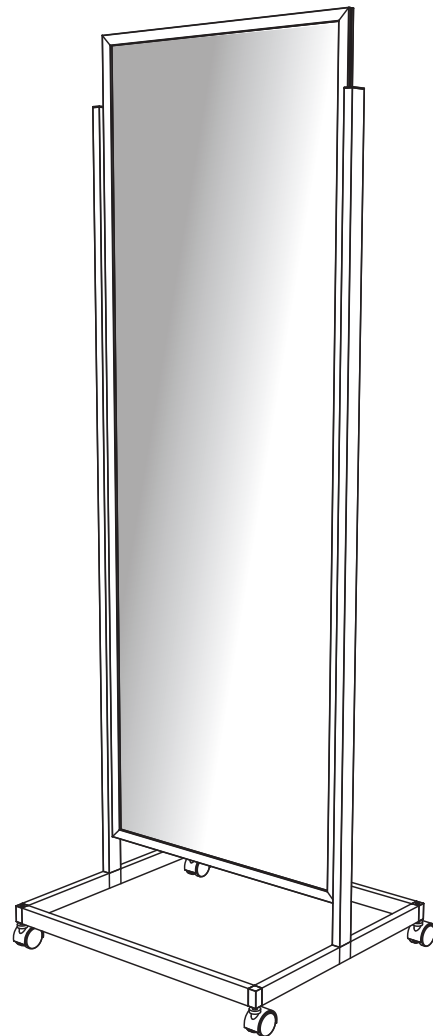


5

Stand the frame upright and roll it into position.

**Be sure to engage the lock the casters once the frame is in position*

Completed assembly shown



P3