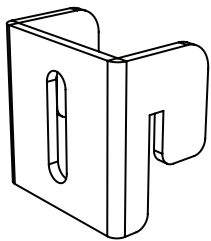


Myriad™ Kit D

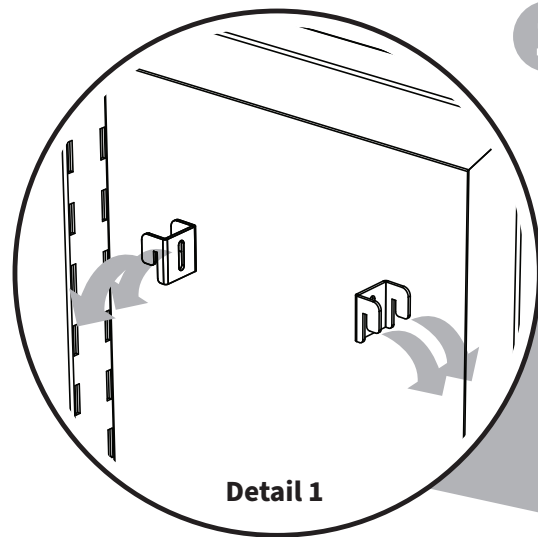
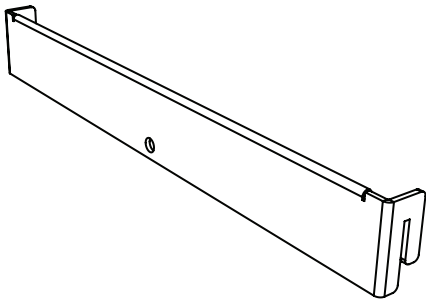
Crossbar Kit

***Before You begin, please locate and ID all parts listed for assembly**

A (8) Frame Connector Clips



B (4) Hangbars

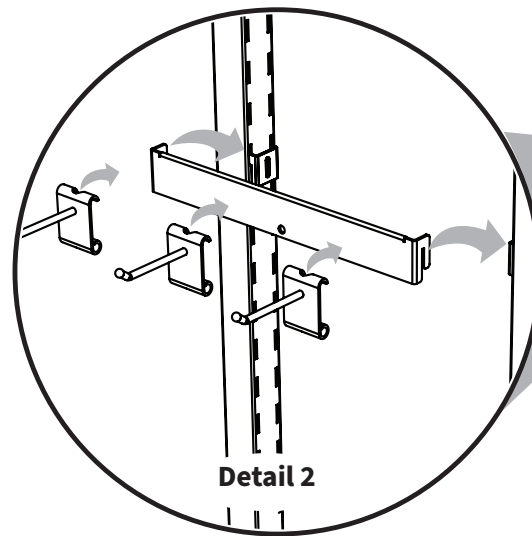


Detail 1

1 Install the frame connector clips into the slots on the inside faces of the frame. **(Detail 1)**

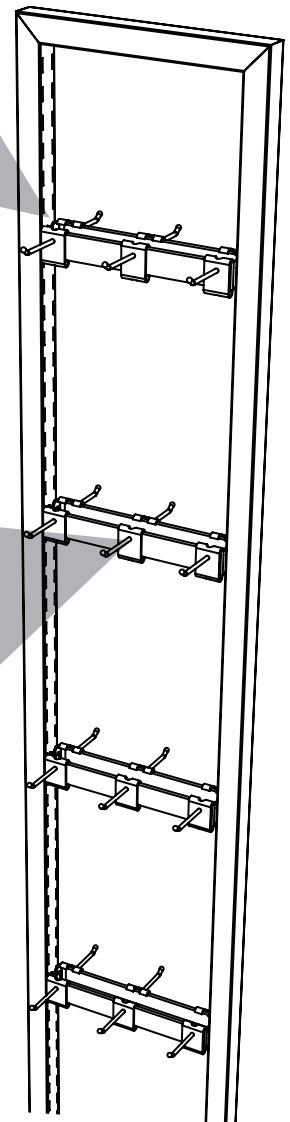
**Be sure to count the slot position on the both sides to ensure the bar installs level.*

2 Install the hook bars onto the frame connector clips **(Detail 2)**.



Detail 2

3 Refer to your store planogram for merchandising setup and product layout. *This kit can be used alone with J-cards or be outfit with peg hooks or card pockets.*



99ROS150KITD

Myriad™ is a trademark of Rose Displays, Ltd. Neither the manufacturer nor any sales agent may be held liable for injury, loss or damage resulting from the use of these products.

500 Narragansett Park Drive Pawtucket, RI 02861 | 800.631.9707 | www.rosedisplays.com | signware@rosedisplays.com

rose/displays
The Signware™ Specialists