

Myriad™ Kit F

Grid Panel with Hooks

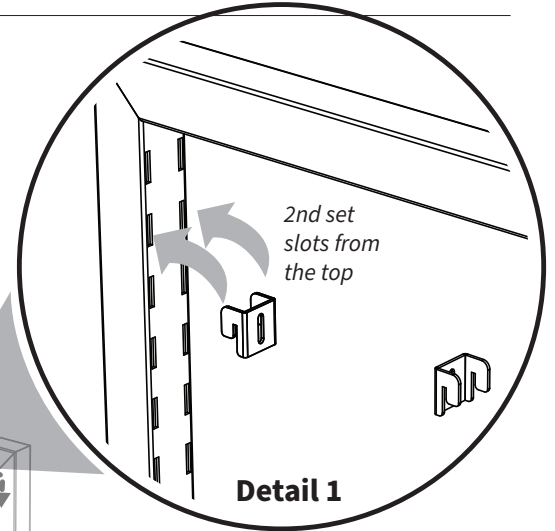
***Before You begin, please locate and ID all parts listed for assembly**



A (6) Frame Connector



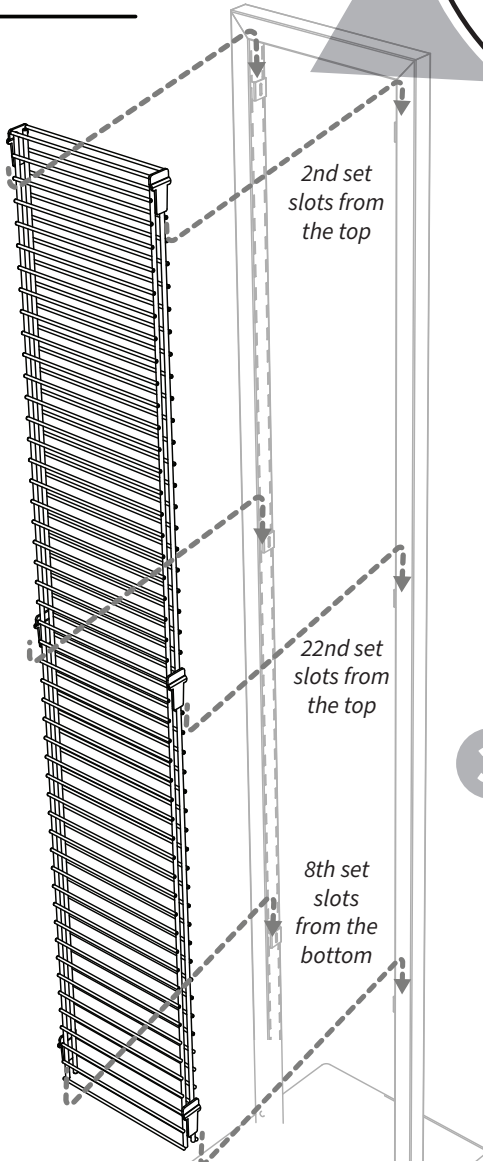
B (1) Grid Frame



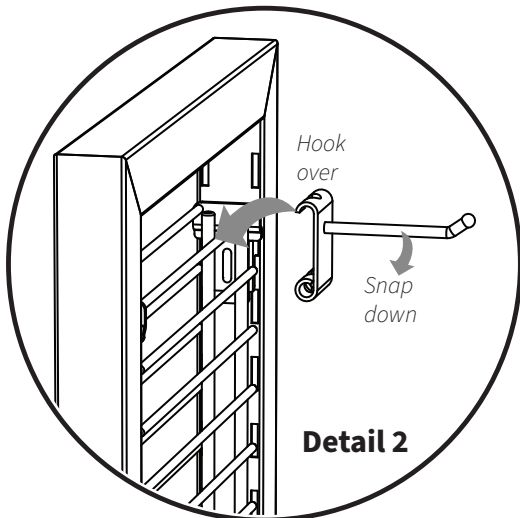
Detail 1

1 Install the (6) frame connector clips into the slots on the inside faces of the frame. **(Detail 1)** **Be sure to count the slot position on the both sides to ensure the grid panel installs level.*

2 Align the 6 tabs on the side of the wire grid frame above the frame connectors. Press down firmly to engage. **If properly aligned all clips will seat in the corresponding frame connectors.*



3 Refer to your store planogram for merchandising setup and product layout. *This kit can be used alone with J-cards or be outfit with peg hooks or card pockets.*



Detail 2

99ROS150KITF

Myriad™ is a trademark of Rose Displays, Ltd. Neither the manufacturer nor any sales agent may be held liable for injury, loss or damage resulting from the use of these products.

500 Narragansett Park Drive Pawtucket, RI 02861 | 800.631.9707 | www.rosedisplays.com | signware@rosedisplays.com

rose/displays
The Signware™ Specialists