

Systems

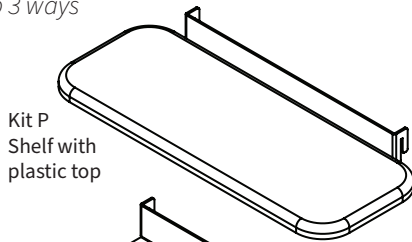
Myriad™ Kits J and P Footwear Shelves

***Before You begin, please locate and ID all parts listed for assembly**

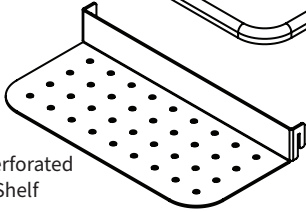


A (12) Frame Connector

B (6) Shelves - **Shelves can be set up 3 ways*

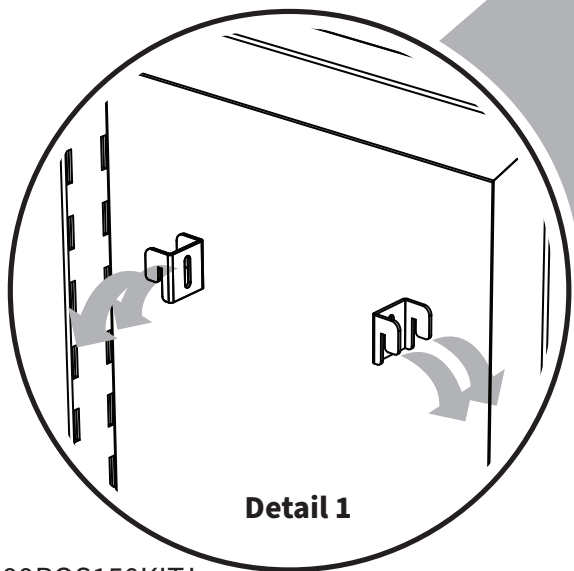


Kit P
Shelf with
plastic top



Kit J Perforated
Metal Shelf

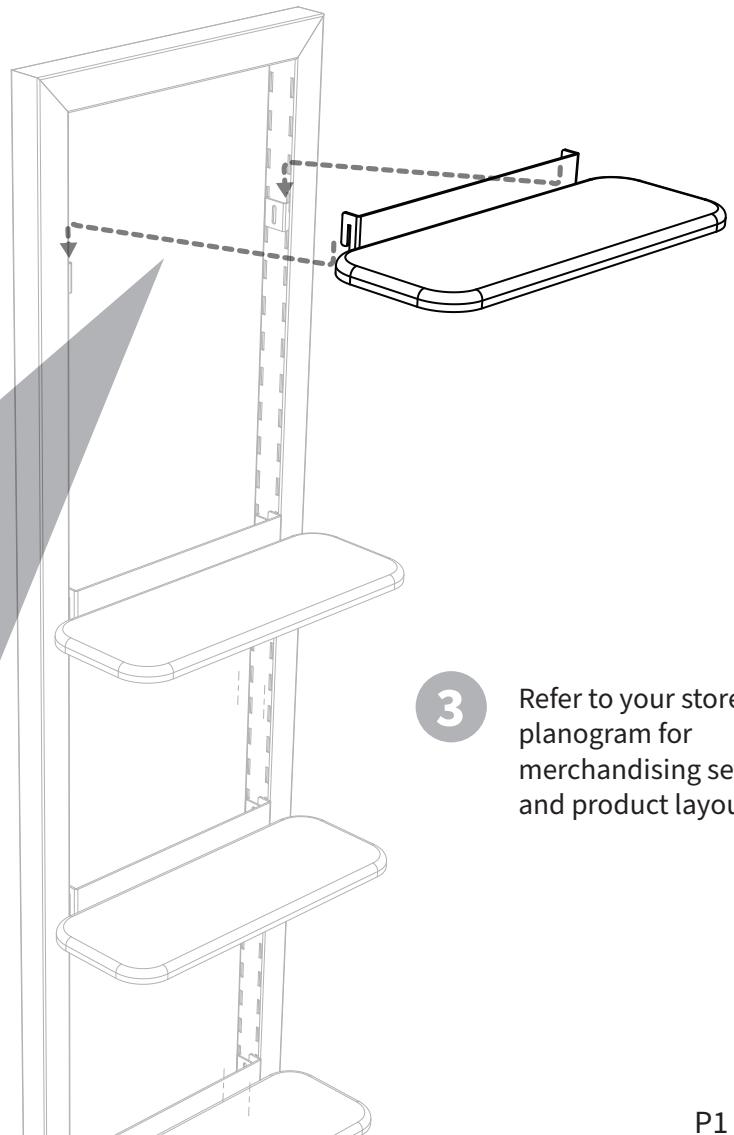
Custom top surface & Graphic Kits
(minimums apply)



Detail 1

1 Install the frame connector clips into the slots on the inside faces of the frame. **(Detail 1)** - **Be sure to count the slot position on the both sides to ensure the shelf installs level.*

2 Attach the shelves to the frame connector clips.



3 Refer to your store planogram for merchandising setup and product layout.

99ROS150KITJ

P1

Myriad™ is a trademark of Rose Displays, Ltd. Neither the manufacturer nor any sales agent may be held liable for injury, loss or damage resulting from the use of these products.

500 Narragansett Park Drive Pawtucket, RI 02861 | 800.631.9707 | www.rosedisplays.com | signware@rosedisplays.com

rose/displays
The Signware™ Specialists