

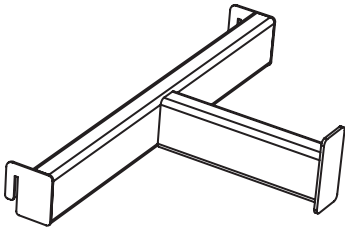
Myriad™ Kit L

Accessory Hangbar

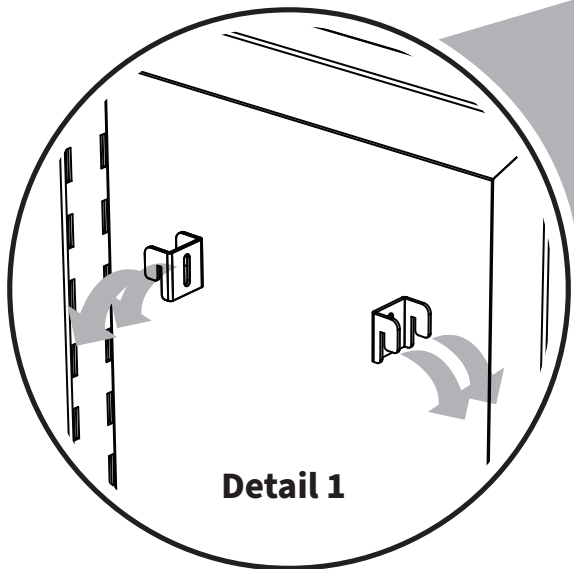
***Before You begin assembly, please locate and ID all parts listed for assembly**



A (4) Frame Connector

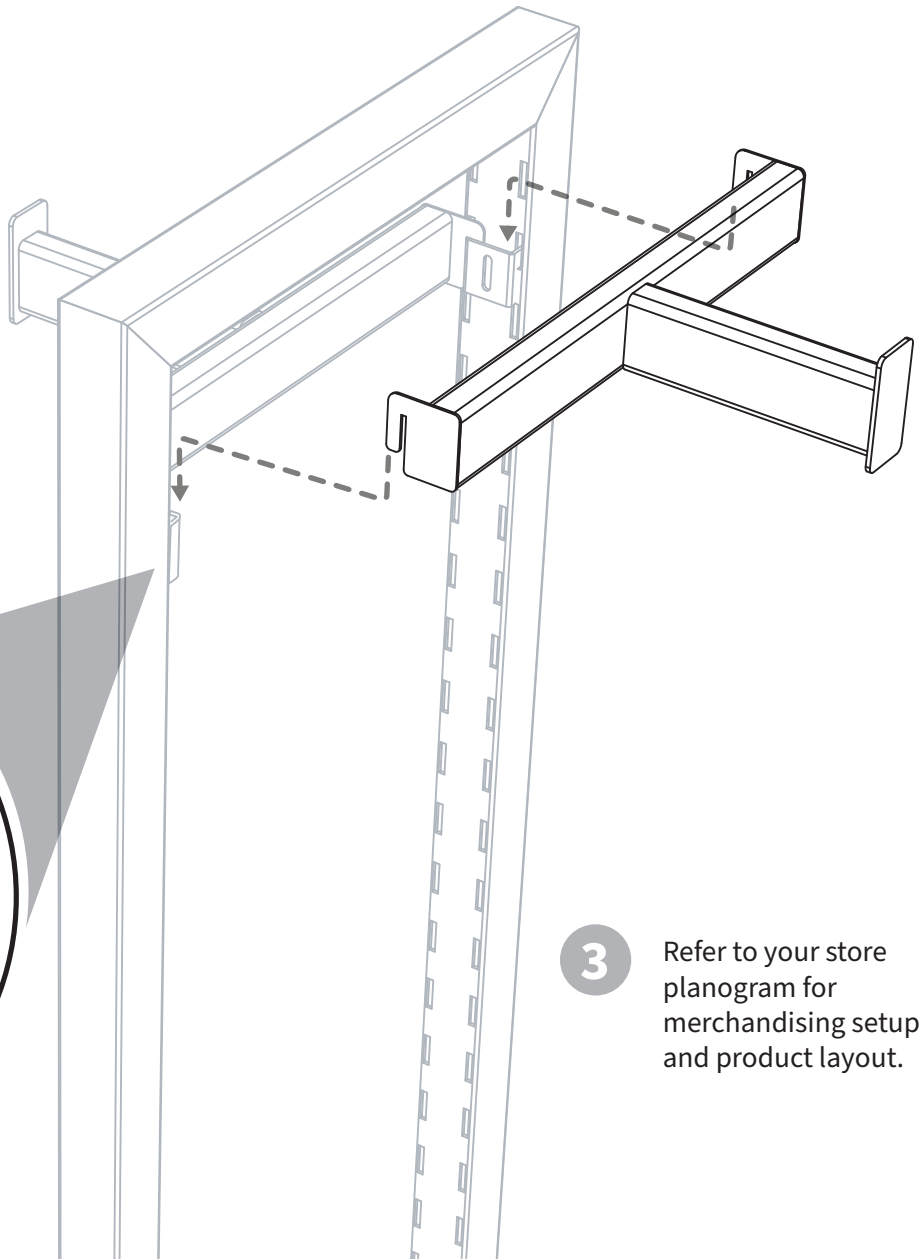


B (2) Hangbars



1 Install the frame connectors into the slots on the inside faces of the frame. **(Detail 1)** - **Be sure to count the slot position on the both sides to ensure the hangbar installs level.*

2 Attach the hangbars to the frame connectors.



3 Refer to your store planogram for merchandising setup and product layout.

99ROS150KITL

Myriad™ is a trademark of Rose Displays, Ltd. Neither the manufacturer nor any sales agent may be held liable for injury, loss or damage resulting from the use of these products.

500 Narragansett Park Drive Pawtucket, RI 02861 | 800.631.9707 | www.rosedisplays.com | signware@rosedisplays.com

rose displays
The Signware™ Specialists