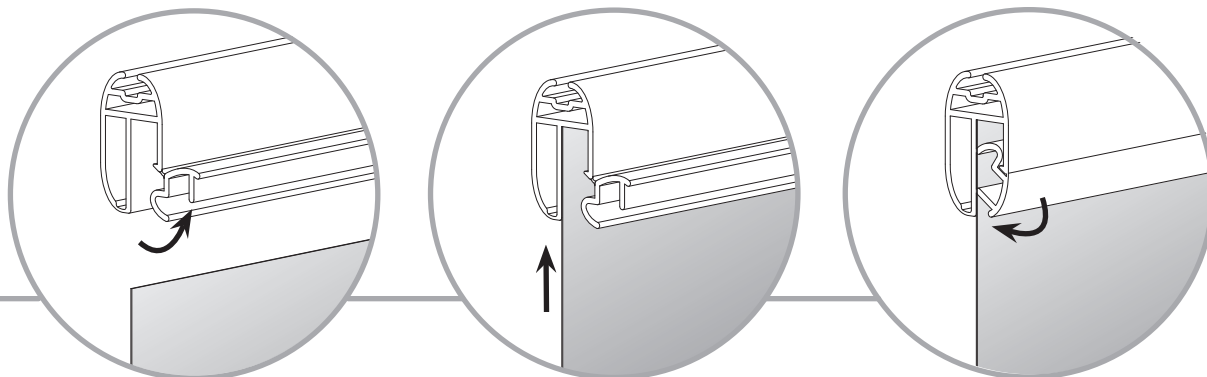
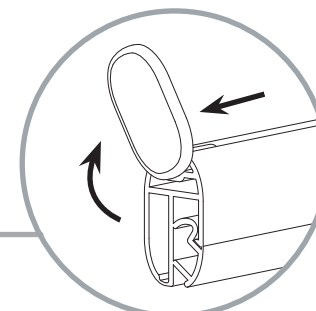


How To Insert Graphic



To Remove End Cap



Twist then pull

Note: It is easier to open and close the SuperSnap Holder by starting at one end and working your way down the holder. With large or curling graphics, it may be easier to insert graphic at one end and slide into holder from one end to another.