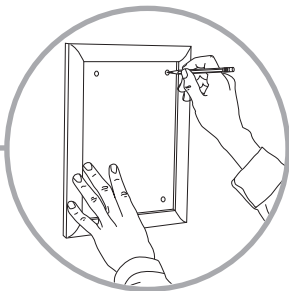
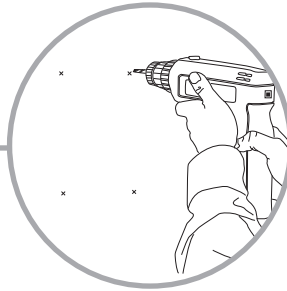


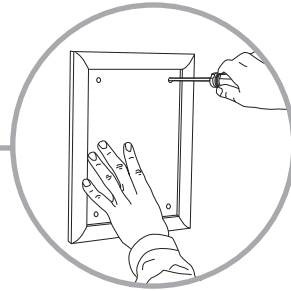
How To Mount Frame



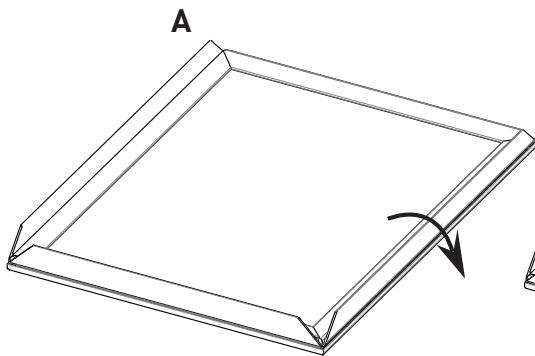
Place frame in desired position on wall, level, and mark.



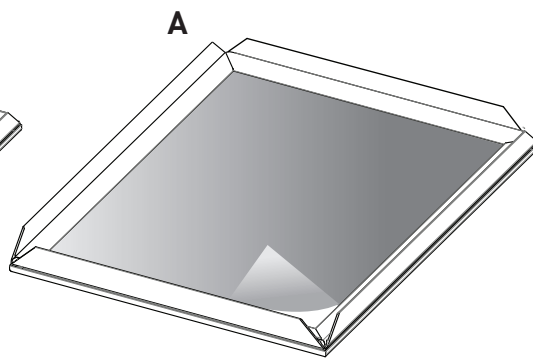
Use a 3/16" bit to drill holes. Insert molly anchor.



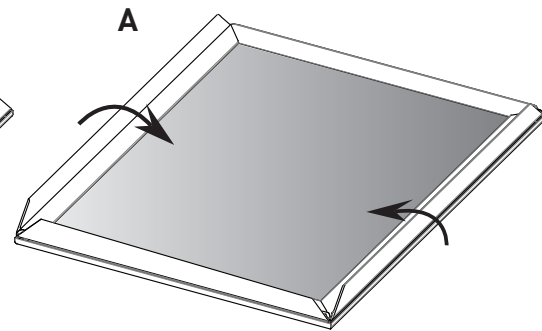
Screw frame into wall.



Open all rails.



Insert graphic.



Close all rails.