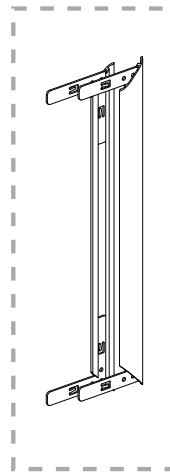
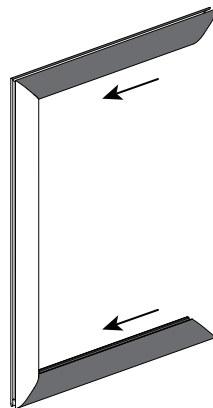
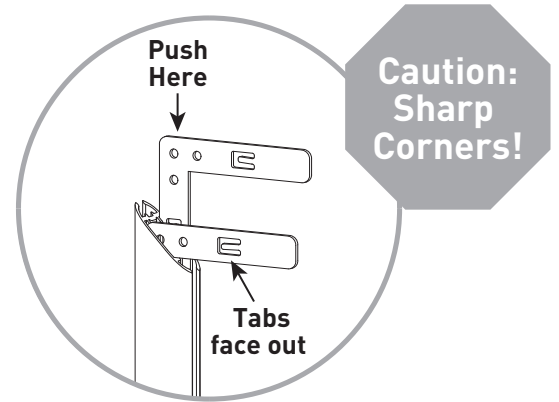
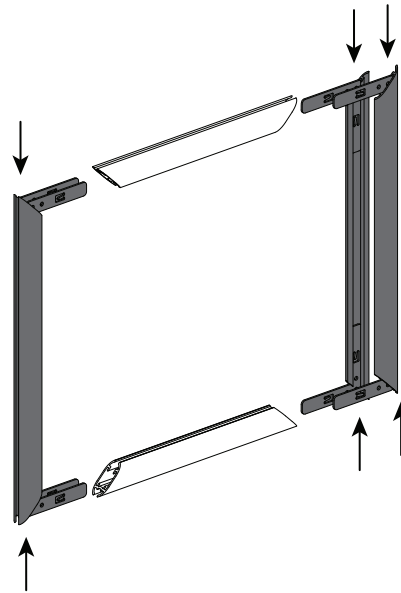
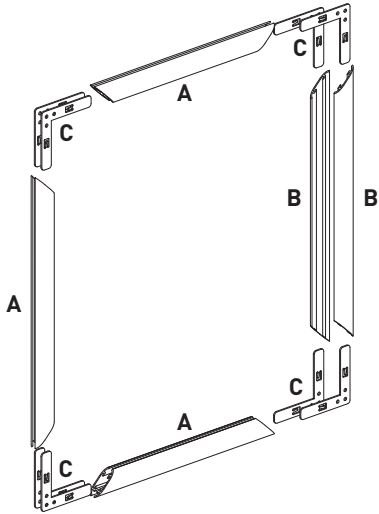
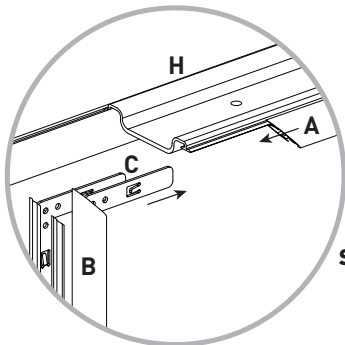
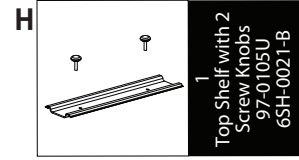
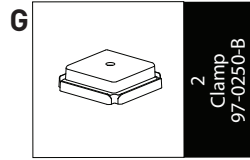
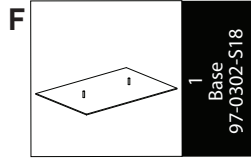
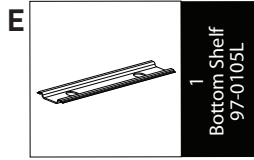
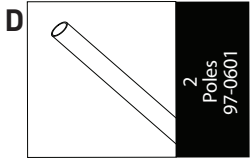


\*Same assembly for both round and square profile.

Layout frame parts before beginning assembly.



Do not assemble split rails at this time. (See page 2)



Assemble split rails now.

