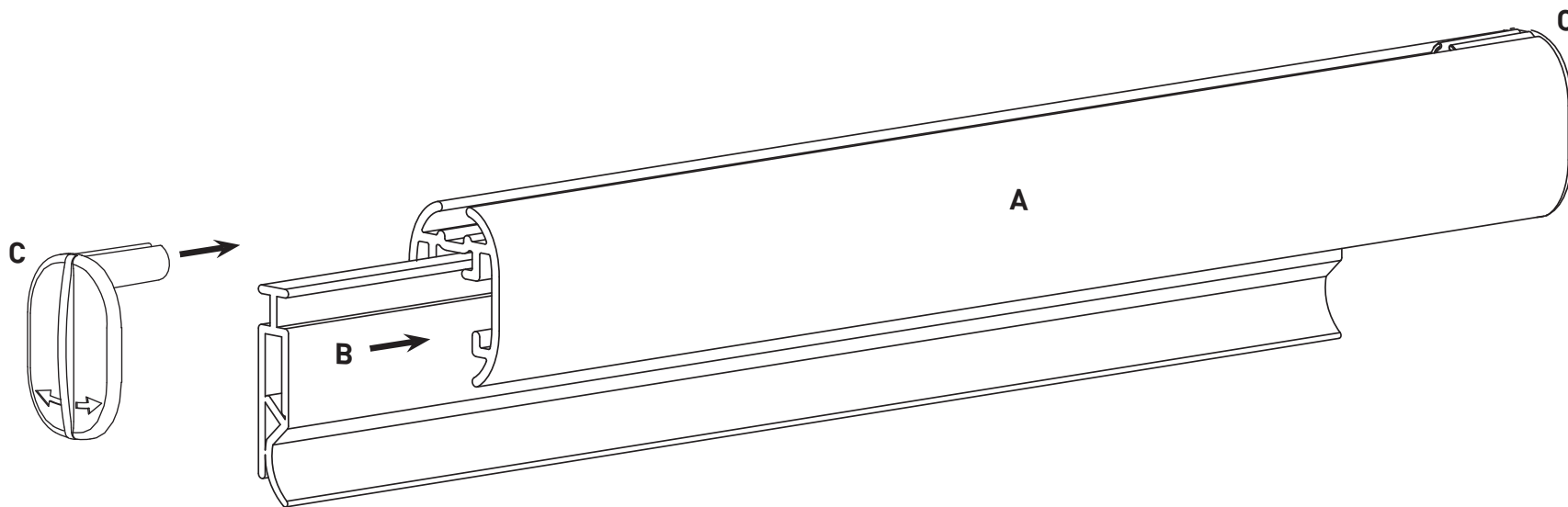
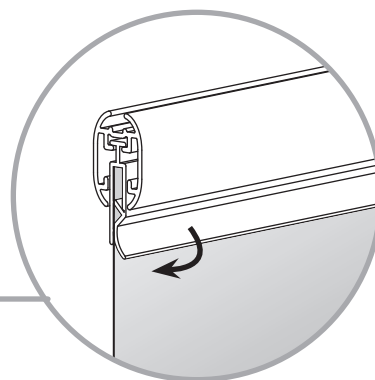
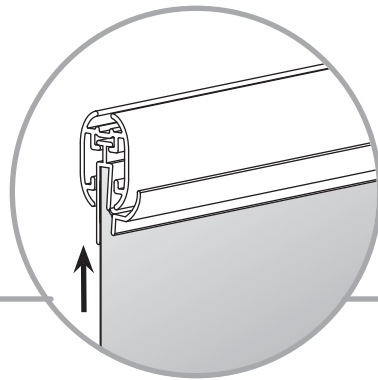
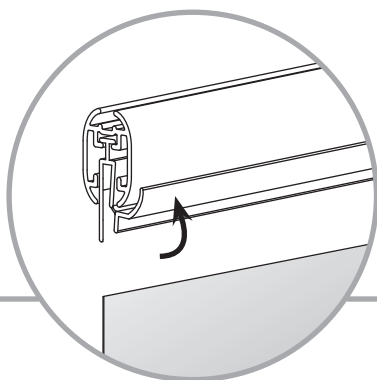


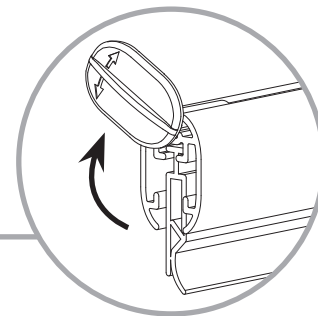
*Same assembly for both round and square profile.



How To Insert Graphic



To Remove Gotcha[®]



Note: It is easier to open and close the Gotcha Holder by starting at one end and working your way down the holder. With large or curling graphics, it may be easier to insert graphic at one end and slide into holder from one end to another.